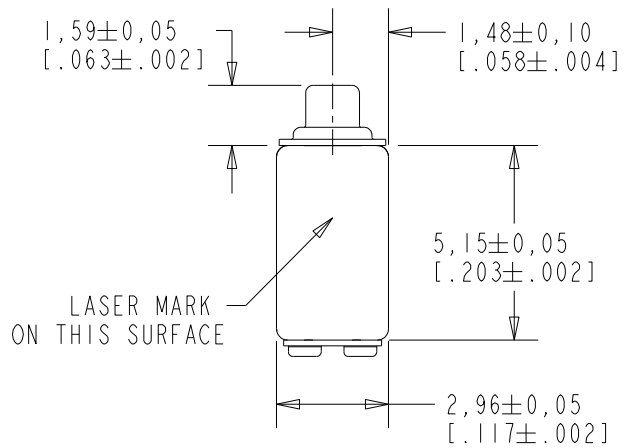
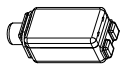
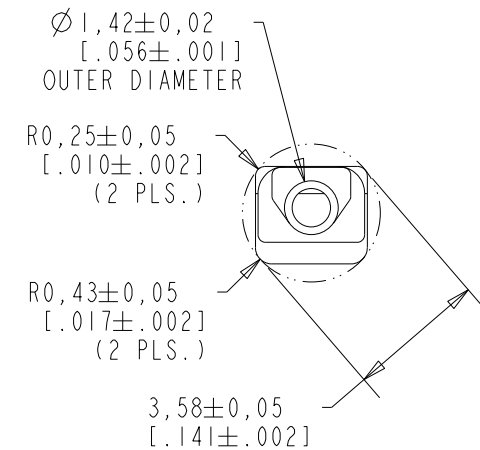
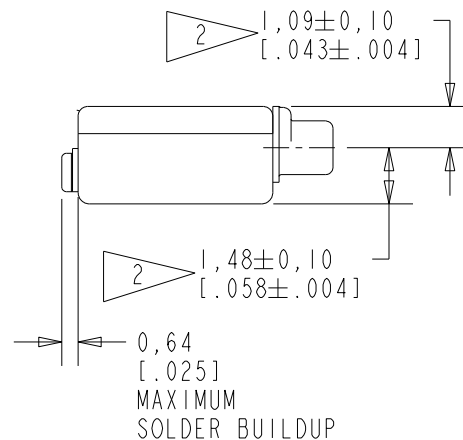
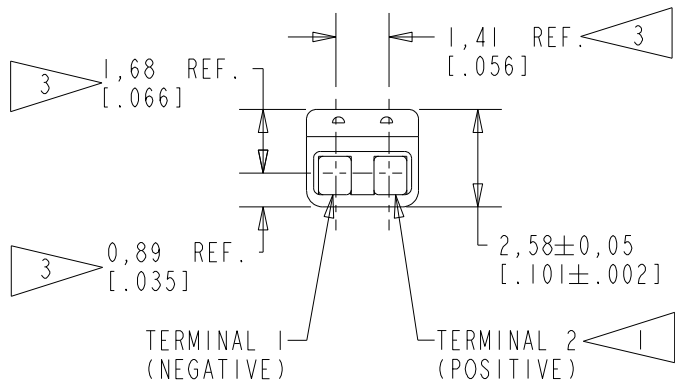


RAB-32667-000

SHT 1.1



- NOTE:
- 1 A POSITIVE GOING VOLTAGE AT TERMINAL 2, RELATIVE TO TERMINAL 1, CAUSES A DECREASE IN PRESSURE AT THE SOUND OUTLET.
 - 2 LOCATED FROM TWO SURFACES FOR CUSTOMER CONVENIENCE. ONLY APPLICABLE FROM ONE SURFACE, NOT TO BE USED TOGETHER.
 - 3 DIMENSION TO APPROXIMATE CENTER OF TERMINAL PAD.



SCALE 2:1
 NOMINAL WEIGHT .16 GRAMS
 DIMENSIONS IN MILLIMETERS [INCHES]

KNOWLES CORPORATION

Revision	C.O. #	Implementation Date	RELEASE LEVEL	REVISION
B	PI0001411	5-9-17	Active	B
A	CI0116445	11-12-14		

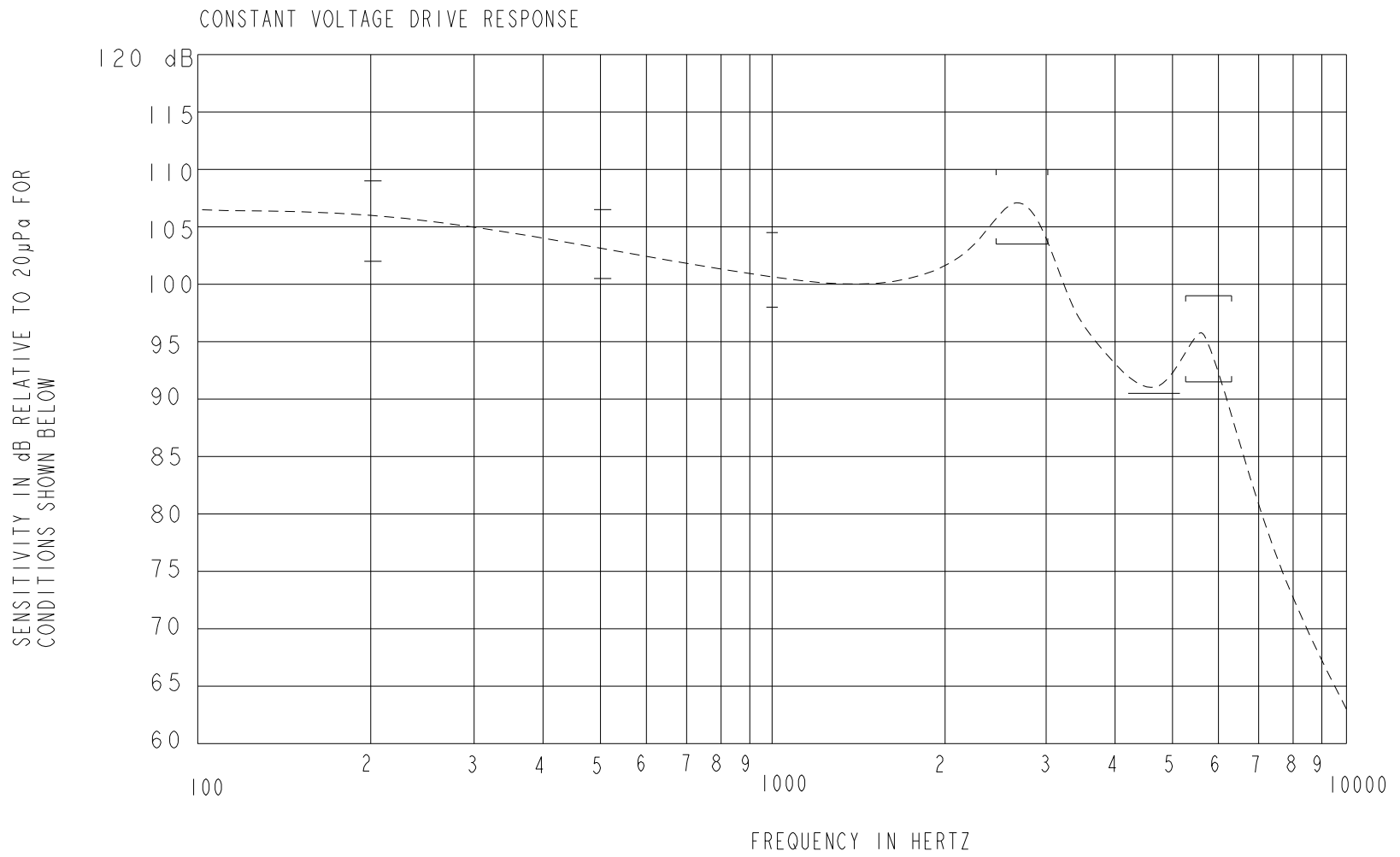
SCALE: 5:1		DR. BY: LW	DATE: 11-12-14
DO NOT SCALE DRAWING			
TITLE: RECEIVER		RAB-32667-000	
OUTLINE DRAWING		SHT 1.1	
		APP. BY: GJP	DATE: 11-12-14

THIS IS A MAGNETIC BALANCED ARMATURE RECEIVER INTENDED FOR USE IN EARPHONE APPLICATIONS.

NO DAMPING

RAB-32667-000

2.1



ACOUSTICAL

SENSITIVITY DEVICE WILL PRODUCE THE SPL LISTED BELOW WITH THE TEST CONDITIONS DESCRIBED IN TABLE 3. NOMINAL SENSITIVITY AT 1 kHz IS dB RELATIVE TO 20µPa. ALL OTHER VALUES IN dB RELATIVE TO THE SENSITIVITY AT 1 kHz.

LIMIT TYPE	FREQUENCY (Hz)	MINIMUM	NOMINAL	MAXIMUM
REL	200	+1.5	+4.5	+7.5
REL	500	-0.5	+2.5	+5.5
REF	1000	-3.0	101.0	+3.0
PEAK	2450-3050	+3.0	+6.0	+9.0
VALLEY	4200-5200	-10.5	---	---
PEAK	5100-6100	-8.5	-5.5	-2.5

TABLE 1.

TOTAL HARMONIC DISTORTION DEVICE WILL NOT EXCEED TOTAL HARMONIC DISTORTION LEVELS LISTED BELOW.

FREQUENCY (Hz)	DRIVE (Vrms)	LIMIT (%)
917	0.287	5
1375	0.287	5
917	0.809	10
1375	0.809	10

TABLE 2.

TEST CONDITIONS

NOMINAL SOURCE VOLTAGE	0.287 Vrms
SOURCE IMPEDANCE	< 1 Ω
TUBING	10 MM (.394) LONG, 1 MM (.039) ID.
COUPLER CAVITY	2 CC SIMULATED ANSI S3.7 TYPE HA-3 (IEC 60318-5)

TABLE 3.

ELECTRICAL

DC RESISTANCE	154 Ω ±10%
IMPEDANCE @ 500 Hz	214 Ω ±15%
IMPEDANCE @ 1 kHz	336 Ω ±15%
INDUCTANCE @ 500 Hz	47.3mH TYPICAL

TABLE 4.

ISOLATION: THE CASE WILL BE ELECTRICALLY ISOLATED FROM THE COIL CIRCUIT

MECHANICAL

PORT LOCATION: 12S

SOLDER TYPE: ROHS COMPLIANT SAC305

TEMPERATURE

OPERATING: SENSITIVITY WILL NOT VARY MORE THAN +1/-3 dB FROM -17°C TO 63°C
STORAGE: -40°C TO 63°C

KNOWLES CORPORATION

Revision	C.O. #	Implementation Date	RELEASE LEVEL	REVISION
B	PI0001411	5-9-17	Active	B
A	CI0116445	11-12-14		
TITLE: RECEIVER			RAB-32667-000	DR. BY DATE
PERFORMANCE SPECIFICATION			2.1	LW 11-12-14
				CK. BY DATE
				GJP 11-12-14
				APP. BY DATE
				GJP 11-12-14

WHEN TEST LIMITS ARE USED TO ESTABLISH INCOMING INSPECTION ACCEPTANCE/REJECTION CRITERIA, CORRELATION OF TEST EQUIPMENT WITH KNOWLES IS ALSO REQUIRED FOR ELIMINATION OF EQUIPMENT AND TEST METHOD VARIATION